



HES brings Ontario residents an opportunity to capitalize on the MicroFIT program with an innovative 5.7kW tracking solar system.

INTRODUCING THE HES TRACKER SYSTEMS:

Home Energy's Tracker Packages are an attractive solar investment for Ontario residents. Designed for the MicroFIT program, this compact ground mounted package puts 5720 watts of Sharp solar modules to work in your back yard. The Deger 2-Axis tracker ensures the solar array works harder, by following the sun throughout the day. The systems meet the 60% Ontario Content of the MicroFIT program.

HES Tracker Packages offer unique features that help them outperform other Ontario systems:

- Maximum revenue by tracking light intensity rather than simply time of day. Tracker tilts down to catch reflected light of snow, and points skyward on overcast days.
- Protected from high winds with a wind sensors that flatten the solar array.
- Reliability ensured with German engineering and drive train. With over 30,000 units installed, Deger is a trusted name around the globe.
- Sharp Solar, one of the largest global solar panel manufacturers brings customer confidence that they will perform over a 20 year MicroFIT contract, and beyond.

**PERFORMANCE MAXIMIZED,
INSTALLATION SIMPLIFIED:**

By tracking the sun, HES systems produce 40% more power annually than a fixed solar array. By tracking sun intensity rather than time of day, they offer 5-10% more delivered energy than conventional trackers. This means more revenue and a higher return on investment.

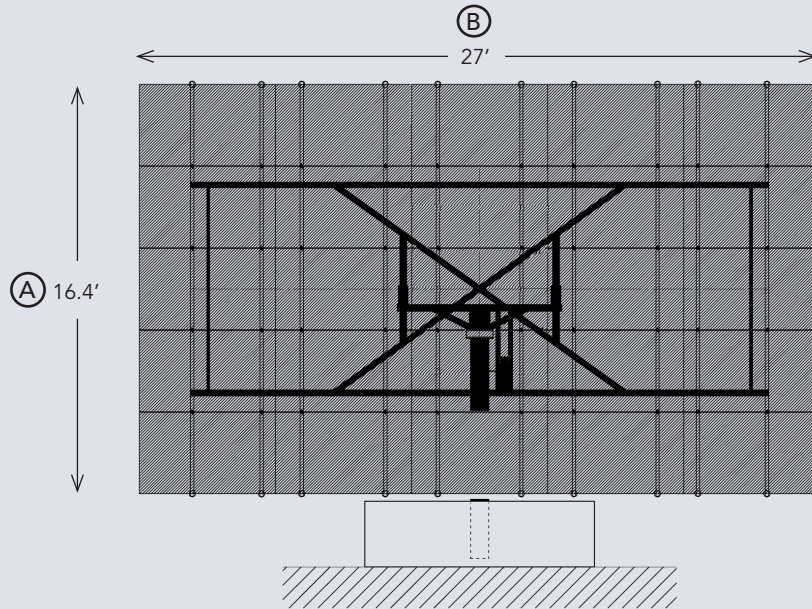
With an HES Tracker Package, we solve the mysteries of foundations, matching equipment and installation. Our precast footing option delivers to site, a cement block with the mast cast in place. The panels, inverters, rails and wiring comes complete, ready for assembly. Home Energy Certified Dealers will handle OPA applications, installation, electrical connections and safety inspections.



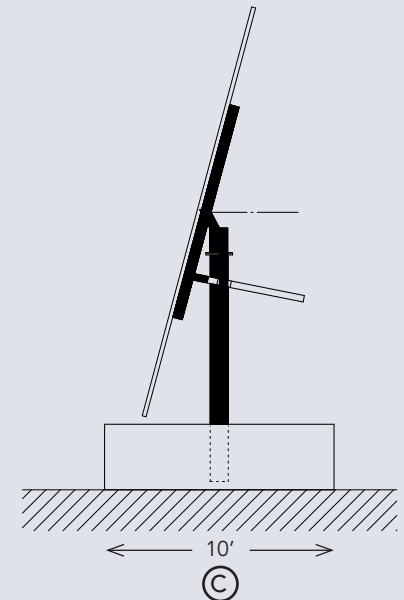
"Specializing In Solar PV MicroFIT Systems"

HES-GT-5.7-TR

REAR VIEW



SIDE VIEW



ELECTRICAL CHARACTERISTICS (PANELS)

HES-GT-5.7-TR	5,750 Watts
Type of Cell	Sharp 230 W
Operating Temperature	-25 to 90° C / -13 to 194°F

MECHANICAL CHARACTERISTICS (SYSTEM)

Dimensions (A x B x C)	16.4' x 27' x 10'
System Weight (Including Mast)	2200 Lbs
Module Area	421 sqft.

HES TRACKER PACKAGES:

- Tracker systems maximize power delivery and MicroFIT revenue stream
- High output yields 40% more power than fixed ground mounts
- Compact design minimizes land use
- German engineered for reliability and maintenance free operation
- HES systems come complete with matched electrical components and part.
- Optional precast footings lower installed costs
- 2011 MicroFIT compliant
- Quality Sharp Solar Panels with 25 year panel warranty

EACH TRACKER PACKAGE INCLUDES:

- Deger Heavy Duty Tracker
- 25 Sharp Ontario Compliant Solar Panels
- High efficiency, -25C rated DC-AC inverters
- AC Disconnect
- Wire management kit
- Wind sensor
- Manual tracker control
- Foundation plans
- Optional Precast concrete bases, delivered to site

NEEDED:

- Permits
- AC feed from Tracker to Revenue Meter
- Assembly & Commissioning